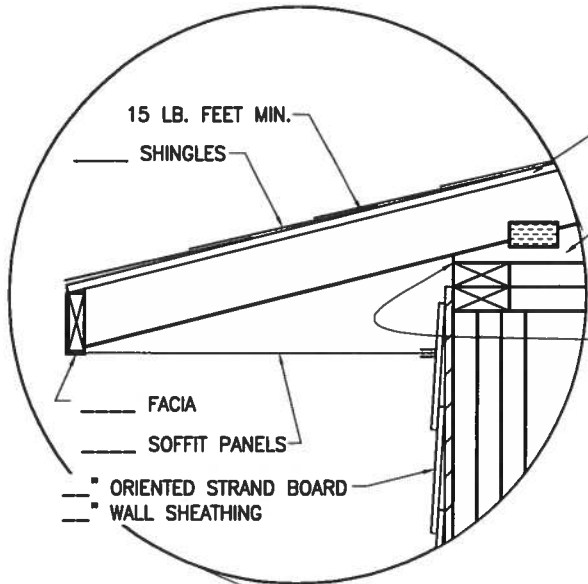


# City of Chillicothe, Illinois

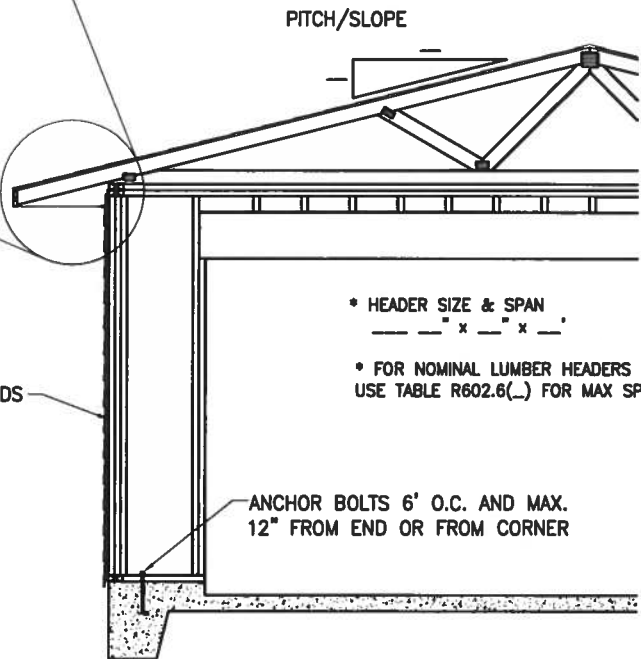
## DETACHED GARAGE DETAIL



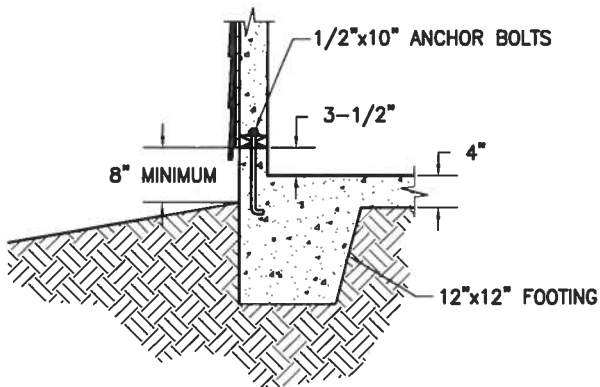
OVERHANG DETAIL

TRUSSES:	" o.c.
RAFTERS:	" x " - " o.c.

\* TABLE R802.5.1 FOR RAFTER SPANS



CROSS SECTION VIEW



CURB AND ANCHOR DETAIL

**NOTES:**

1. TRUSS DRAWINGS AND PRE-ENGINEERED LUMBER SPECIFICATIONS ARE REQUIRED PRIOR TO FINAL INSPECTION/APPROVAL
2. FIREWALL(S) SHALL BE PROVIDED IN GARAGES LESS THAN 5 FEET FROM A LOT LINE OR OTHER STRUCTURE.

MUST MEET THE REQUIREMENTS OF THE 2012 INTERNATIONAL RESIDENTIAL CODE